

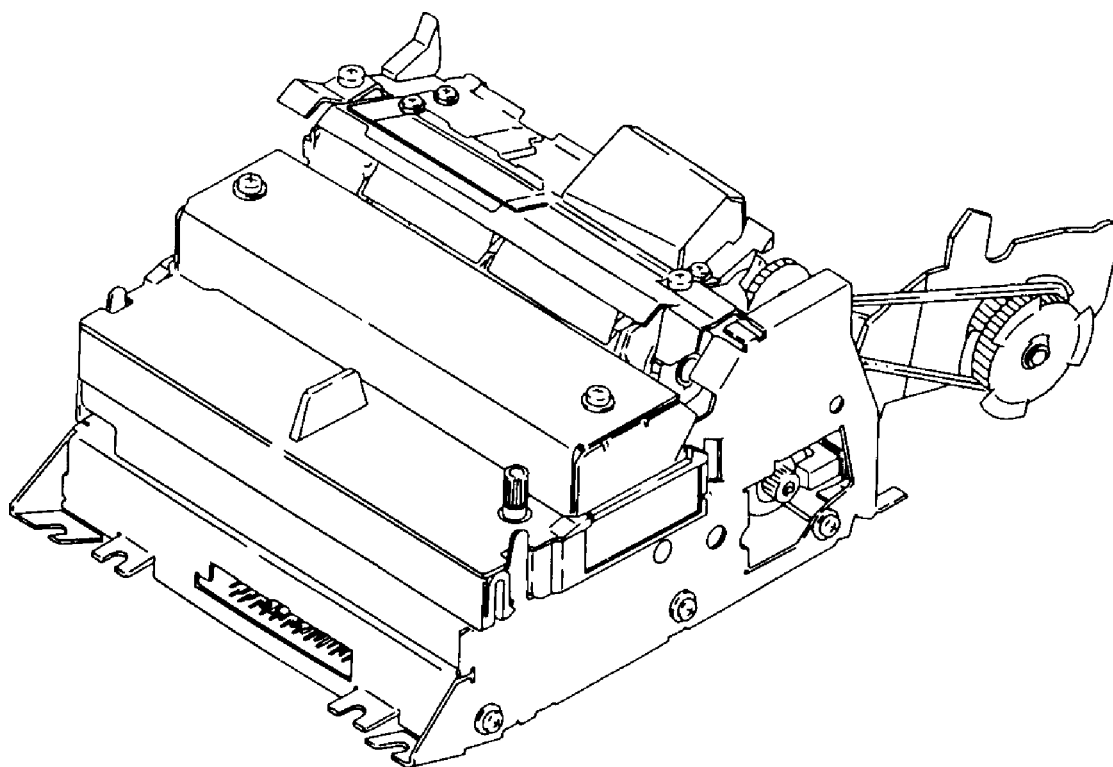
# TECHNICAL MANUAL

(without price)

## IMPACT DOT MATRIX PRINTER

# M-U420

FEB. 2000



# CASIO®

# CONTENTS

## CHAPTER 1 (FEATURES, GENERAL SPECIFICATIONS, AND PRINCIPLES OF OPERATION)

1.1 Features .....	1
1.2 General Specifications .....	1
1.3 Overview of Printer Mechanisms .....	2
1.4 Principles of Operation .....	2
1.4.1 Transmission Mechanism .....	2
Paper Feed Gear Train .....	2
Head Movement Gear Train .....	3
1.4.2 Detection Mechanism .....	3
Timing Detection Mechanism .....	3
Reset Detection Mechanism .....	3
Validation Detection Mechanism .....	4
1.4.3 Print Mechanism .....	4
Movement of Print Head Unit .....	4
Principle of Head Printing Operation .....	4
1.4.4 Paper Feed Mechanism .....	5
Paper Transport Mechanism .....	5
Paper Extension Mechanism .....	5
Release Mechanism .....	6
1.4.5 Clamshell Mechanism .....	6
1.4.6 Ribbon Feed Mechanism .....	7
Ribbon Feed Operation .....	7
1.4.7 Stamp Mechanism .....	7
Stamp Operation .....	7
1.4.8 Auto Cutter Mechanism (selectable function) .....	8
Partial Cut Operation .....	8
Full Cut Operation .....	8
Cutter Detector .....	8
1.4.9 Paper Take-Up Mechanism .....	9
Paper Take-Up Operation .....	9

## CHAPTER 2 (HANDLING, MAINTENANCE, AND REPAIRS)

2.1 Handling the Printer .....	10
2.1.1 Precautions .....	10
Transport Precautions .....	10
Correct way to Carry and Handling way .....	10
Storage Precautions .....	10
Usage Precautions .....	10
2.1.2 Inserting and Removing Paper .....	11
Inserting Paper Roll .....	11
Removing Paper Roll .....	11
Inserting a Validation Card .....	11

2.1.3	Operating the Release Levers .....	11
	Function .....	11
	Clamshell Access .....	11
2.1.4	Installing and Removing the Ribbon Cassette .....	12
	Installing the Cassette .....	12
	Removing the Cassette .....	12
2.1.5	Installing and Removing the Stamp Assembly .....	12
	Installing the Stamp Assembly .....	12
	Removing the Stamp Assembly .....	12
2.1.6	Stamp Assembly Ink Refill .....	13
2.1.7	Replacing the Stamp Face .....	13
	Disassembly .....	13
	Reassembly .....	13
2.2	Maintenance .....	14
2.2.1	Cleaning .....	14
2.2.2	Inspection .....	14
	Daily Check .....	14
	Periodic Inspection .....	14
2.3	Lubrication .....	15
2.3.1	Lubricant Types .....	15
2.3.2	Lubrication Standards .....	15
2.3.3	Lubrication Sites .....	15
2.3.4	List of Lubricants and Adhesives .....	17
2.4	Tools .....	17
2.4.1	List of Tools .....	17
2.5	Repair .....	17
2.5.1	Repair Levels .....	17
2.5.2	Repair Procedure .....	17
2.5.3	Repair Guidelines .....	18
	Arrangement of Connector Terminal .....	24

## **CHAPTER 3 (DISASSEMBLY, ASSEMBLY, AND ADJUSTMENT)**

3.1	Disassembly .....	25
3.2	Assembly .....	25
	Main Assemblies .....	26
	Assembly 1   Installation of Fixing lever, J Fixing lever, R and Main motor sub ass'y .....	26
	Assembly 2   Assembly of Paper guide, lower unit .....	27
	Assembly 3   Assembly of Take-up frame unit .....	28
	Assembly 4   Installation of Take-up frame unit and Paper guide, lower unit .....	29
	Assembly 5   Assembly of Driven plate ass'y .....	30
	Assembly 6   Installation of Driven plate ass'y and Carriage drive pulley .....	31
	Assembly 7   Assembly of Paper feed trigger ass'y .....	32
	Assembly 8   Installation of Paper feed trigger ass'y .....	33
	Assembly 9   Installation of Platen ass'y; Shaft, paper feed ass'y and Paper guide outlet .....	34
	Assembly 10   Assembly of Shaft, paper feed pressure ass'y .....	35

Assembly 11	Installation of Shaft, paper feed pressure ass'y .....	36
Assembly 12	Installation of Release lever, RPT and Release lever, JNL .....	37
Assembly 13	Installation of Paper guide, upper unit .....	38
Assembly 14	Installation of Timing detector ass'y and V detector ass'y .....	39
Assembly 15	Installation of Shaft, ribbon drive ass'y .....	40
Assembly 16	Assembly of Shaft, paper extension ass'y and Gear, paper extension shaft .....	41
Assembly 17	Assembly of Gear train unit .....	42
Assembly 18	Installation of Gear train unit .....	43
Assembly 19	Installation of Guide frame .....	44
Assembly 20	Installation of Timing detector ass'y .....	45
Assembly 21	Installation of Cutter unit .....	46
Assembly 22	Assembly of Timing carriage drive belt ass'y .....	53
Assembly 23	Installation of Main board ass'y .....	54
Assembly 24	Soldering of lead wires .....	55
Assembly 25	Assembly of Validation guide and Card stopper .....	56
Assembly 26	Installation of Carriage ass'y and Shaft, carriage guide .....	57
Assembly 27	Assembly of FPC, head ass'y and Print head ass'y Ab .....	58
Assembly 28	Assembly of Paper feed cover sub ass'y (Manual cutter modes only) .....	59
Assembly 29	Installation of Cutter unit (Auto cutter models only) .....	60
Assembly 30	Installation of Journal writing stand (Auto cutter models only) .....	61
Assembly 31	Assembly of Head cover ass'y .....	62
Assembly I	Timing carriage drive belt tension adjustment .....	63
Assembly II	Adjustment of Platen gap .....	64
Assembly III	Corrention of print skew .....	65

## APPENDIX

Exploded Diagram .....	66
Lubrication Points 1 .....	67
Lubrication Points 2 .....	68
<b>PARTS PRICE LIST M-U420(061) .....</b>	<b>69</b>
<b>EXPLODED DIAGRAM M-U420(061) .....</b>	<b>71</b>
<b>PARTS PRICE LIST M-U420(071) .....</b>	<b>72</b>
<b>EXPLODED DIAGRAM M-U420(071) .....</b>	<b>75</b>

This is a “Table of Contents preview” for quality assurance

The full manual can be purchased from our store:

[https://the-checkout-tech.com/manuals/casio/M-U420 technical manual.html](https://the-checkout-tech.com/manuals/casio/M-U420%20technical%20manual.html)

And our free Online Keysheet maker:

<https://the-checkout-tech.com/Cash-Register-Keysheet-Creator/>

[HTTPS://THE-CHECKOUT-TECH.COM](https://THE-CHECKOUT-TECH.COM)